

# S-5!®

## The Right Way!

### S-5-E Clamp

The S-5-E clamp is designed specially for double-folded standing seam roof profiles having the appropriate dimensioning.

Although a bit smaller and less expensive than the S-5-U, for these profiles, the S-5-E is just as strong.

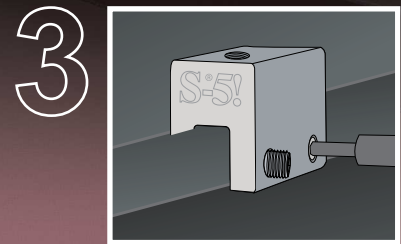
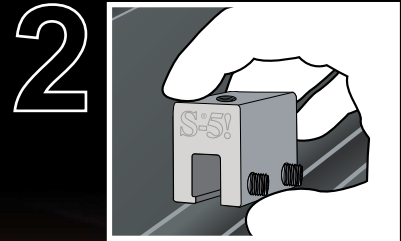
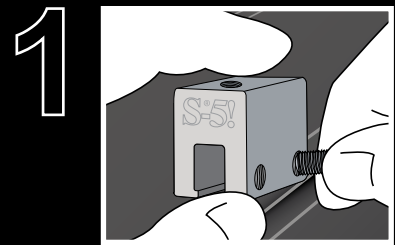
The S-5-E is perfect for use with S-5!® ColorGard® snow retention systems and other heavy-duty applications.

Installation is as simple as placing the clamp on the seam and tightening the patented round-point setscrews to the specified tension. Then, affix ancillary items using the bolt provided. Go to [www.S-5.com/tools](http://www.S-5.com/tools) for information and tools available for properly attaching and tensioning S-5! clamps.

### S-5-E Mini Clamp

The S-5-E Mini is a bit shorter than the S-5-E and has one setscrew rather than two. The mini is the choice for attaching all kinds of rooftop accessories: signs, walkways, satellite dishes, antennas, rooftop lighting, lightning protection systems, solar arrays, exhaust stack bracing, conduit, condensate lines, mechanical equipment—just about anything!\*

\*S-5! mini clamps are not compatible with, and should not be used with S-5! SnoRail™/SnoFence™ or ColorGard® snow retention systems.



The S-5-E clamp is secured with our patented round-point setscrews without piercing the metal roof panel, thereby preserving the roof manufacturer's warranty!

S-5-E and S-5-E Mini

888-825-3432 | [www.S-5.com](http://www.S-5.com)

The right way to attach almost anything to metal roofs!

# S-5!<sup>®</sup>

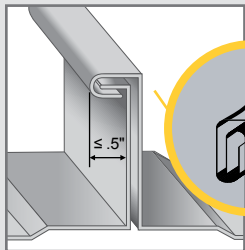
The Right Way!

The strength of the S-5-E clamp is in its simple design. The patented setscrews will slightly dimple the metal seam material but will not puncture it—leaving roof warranties intact.

The **S-5-E and S-5-E Mini clamps** are each furnished with the hardware shown to the right. Each box also includes a bit tip for tightening setscrews using an electric screw gun. A structural aluminum attachment clamp, the S-5-E is compatible with most common metal roofing materials excluding copper. All included hardware is stainless steel. Please visit [www.S-5.com](http://www.S-5.com) for more information including CAD details, metallurgical compatibilities and specifications.

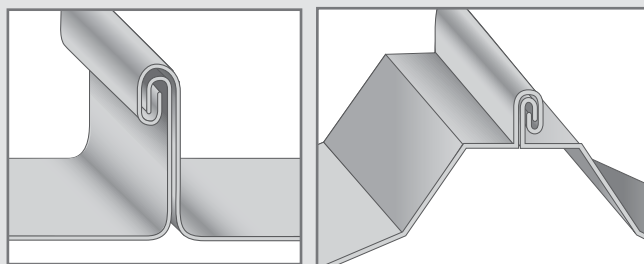
The S-5-E and S-5-E Mini clamps have been tested for load-to-failure results on a variety of double-folded standing seam roofs, from leading manufacturers of panels and panel-forming machines. The independent lab test reports found on our website at [www.S-5.com](http://www.S-5.com) prove that S-5!<sup>®</sup> holding strength is unmatched in the industry.

## Example Profiles

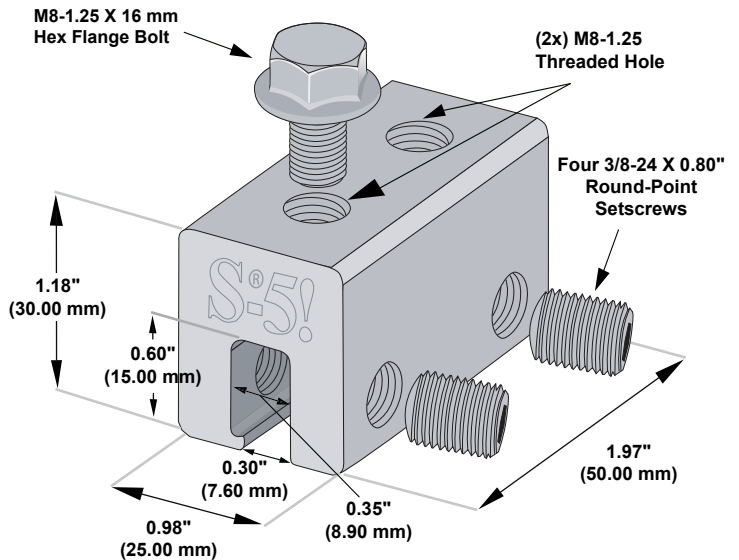


For horizontal seams under .5", crimp the seam to 180 degrees at desired clamp location.

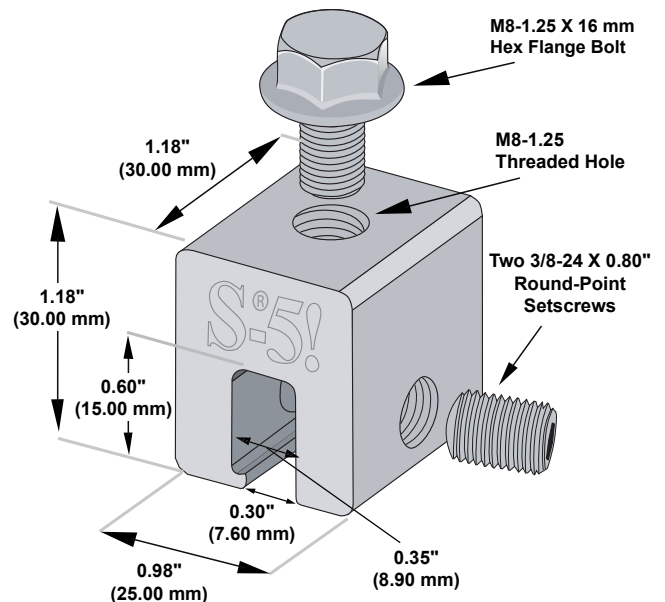
This illustration demonstrates crimping technique, NOT actual location of clamp.



## S-5-E Clamp



## S-5-E Mini Clamp



Please note: All measurements are rounded to the second decimal place.

# S-5!<sup>™</sup>

**Akrobat Pte Ltd**

53 Ubi Ave 1 #05-13 Paya Ubi Industrial Park Singapore 408934

Tel 67444235 Fax 63338836

Email : [info@akrobat.com.sg](mailto:info@akrobat.com.sg)

