

S-5!

Unprecedented Innovation
Unmatched Quality
Unbelievable Price

Akrobat Pte Ltd

53 Ubi Ave 1 #05-13 Paya Ubi Industrial Park Singapore 408934

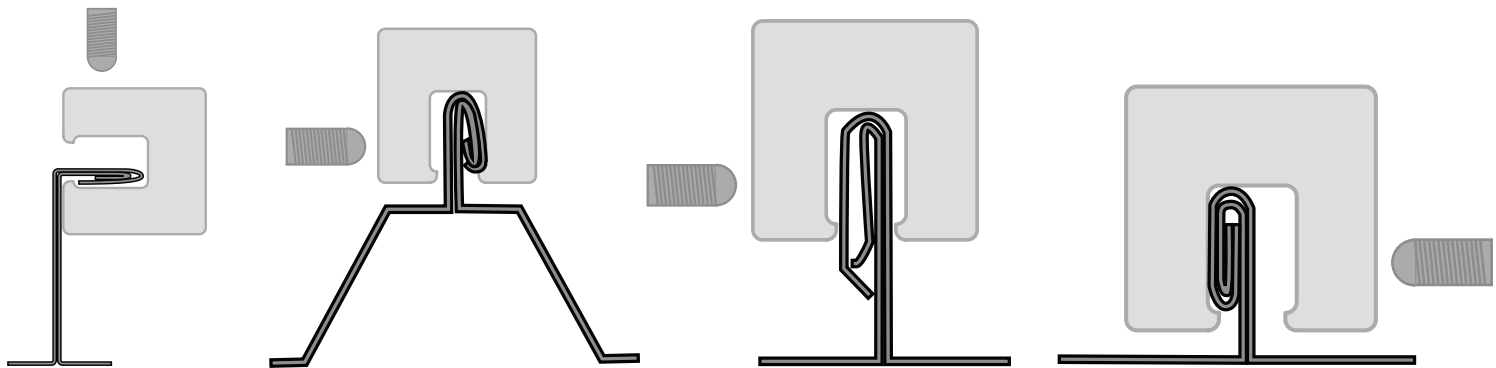
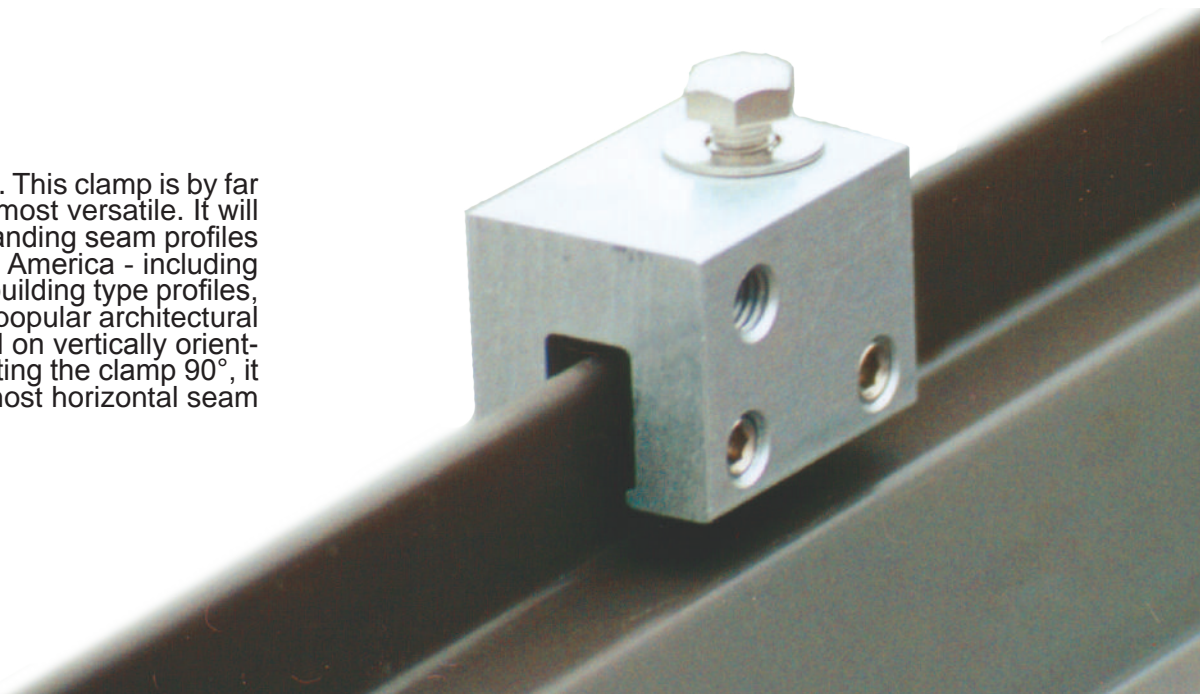
Tel 67444235 Fax 63338836

Email : info@akrobat.com.sg

S-5-U

S-5-U

The "U" is for universal. This clamp is by far our most popular and most versatile. It will fit about 85% of the standing seam profiles manufactured in North America - including most structural metal building type profiles, as well as most of the popular architectural profiles. It can be used on vertically oriented seams and, by rotating the clamp 90°, it can also be used on most horizontal seam profiles as well.



S-5-U Mini

The S-5! Mini is a light-duty non-piercing utility clamp for standing seam metal roofs. The Mini is an ideal solution for attaching all kinds of roof top accessories: signs, walkways, satellite dishes, antennas, roof top lighting, lightning protection systems, exhaust stack bracing, conduits, etc., without spending a fortune.

**Attach anything to standing seam metal roofs
without piercing the panel!**



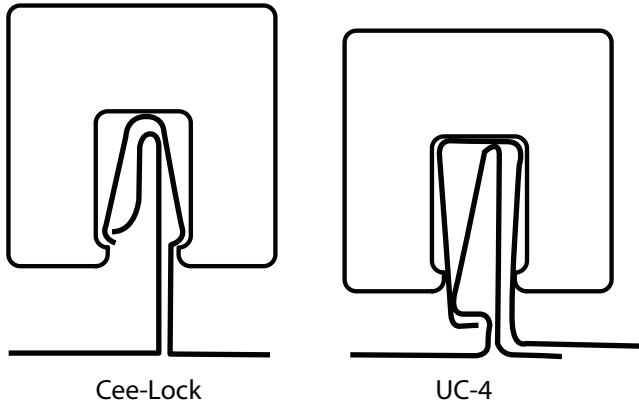
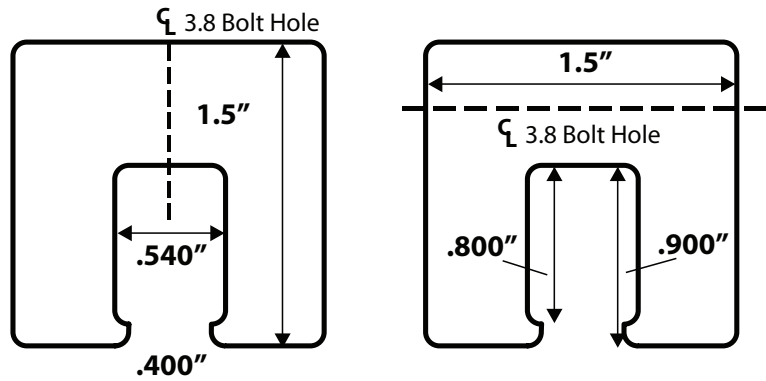
S-5-U

What profiles will the S-5-U fit?

The S-5-U clamp will fit most standing seam profiles on the market today, including both "architectural" and "structural" types. When in doubt about a particular seam or profile, check the dimensioning of the seam and compare with the critical dimensions shown at right.

The S-5-U measures 1.5" x 1.5" x 2.0"

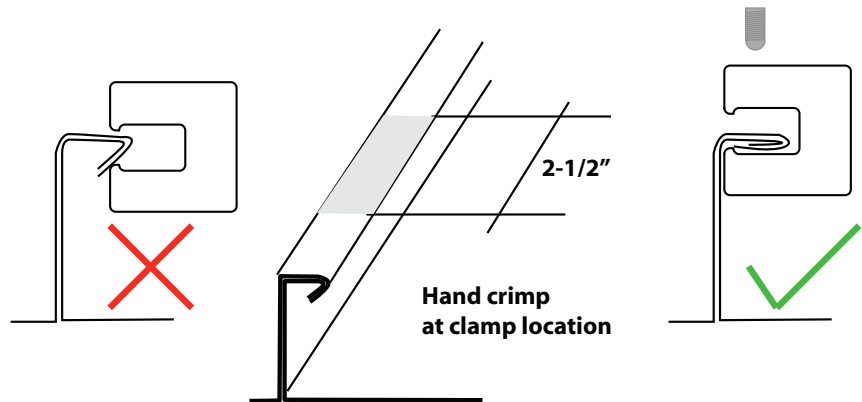
The bolt measures 3/8"-16 x .709"
(flat washer also furnished)



There are a few profiles which are marginal. One example is Copper Sales UC-4 (at left). The clamp will fit over this profile, but must be slipped on from the end and then carefully moved to its desired location. Another example is Berridge "Cee Lock." The S-5-U will fit this profile, but it may have to be forced down until it snaps over the seam profiling (far left).

A few profiles may require some minor modification to the seam prior to clamp installation. The Fabral "Snap Rib" is an example. To use on this profile, the cap must be field notched. This procedure is described by Fabral in their S-5!™ user information guide booklet.

Another profile that may require some modification is the "Armco Steelox" and similar horizontal seams, on which the seamer does not completely close the seam, but only partially does so. The dimensioning on these seams is such that the clamp will not slip over the seam (right). Some hand crimping at the clamp location will resolve this problem. This can be done by hand with a pair of ViceGrip tinner's pliers or hand tongs. This method works well if there are only a few clamps to install. If there are many, a better crimping tool is available from S-5!™ distributors; which makes this crimping much more expedient.



This clamp includes the following hardware:

- 18-8 stainless steel, round point 3/8" set screws (3/16" Allen drive)
- 18-8 stainless steel 3/8"-16 x .709 auxiliary bolt. (drive size - 9/16")
- 18-8 stainless steel 3/8" x .060" flat washer. (outside diameter - 7/8")
- 3/16" Allen Screwgun driver

See www.S-5.com for Load Test Results

S-5!™ WARNING! The S-5! clamp is a handy gadget for a great many uses, but will not perform miracles. PLEASE USE THIS PRODUCT RESPONSIBLY! Any loads imposed on the S-5! clamp will be transferred to the panels. Panels must be adequately attached to building structure to resist these loads. For critical installations, inquire for specific test data of ultimate tensile load on specific panel materials and seam types. When tabled values are used, screw tensions should be verified and factors of safety should be used as appropriate. The manufacturer expresses no opinions as to the suitability of the S-5! for any specific application or project condition. ALWAYS PROVIDE WORKER FALL PROTECTION WHEN INSTALLING S-5! THE S-5! CLAMP IS NOT APPROVED FOR USE AS A PERSONAL FALL RESTRAINT DEVICE!

S-5!™ products are protected by multiple U.S. patents including 5,228,248, 5,983,588 and 6,164,033 (others issued and pending). European patents are also applied for and pending under the Patent Cooperation Treaty with divisional filing rights retained. Metal Roof Innovations, Ltd. (licensor of S-5!™ technology) aggressively prosecutes patent infringement. S-5, S-5!, S-5-T and ColorGard are trademarks owned by Metal Roof Innovations, Ltd.

S-5!™

Akrobat Pte Ltd

53 Ubi Ave 1 #05-13 Paya Ubi Industrial Park Singapore 408934

Tel 67444235 Fax 63338836

Email : info@akrobat.com.sg

